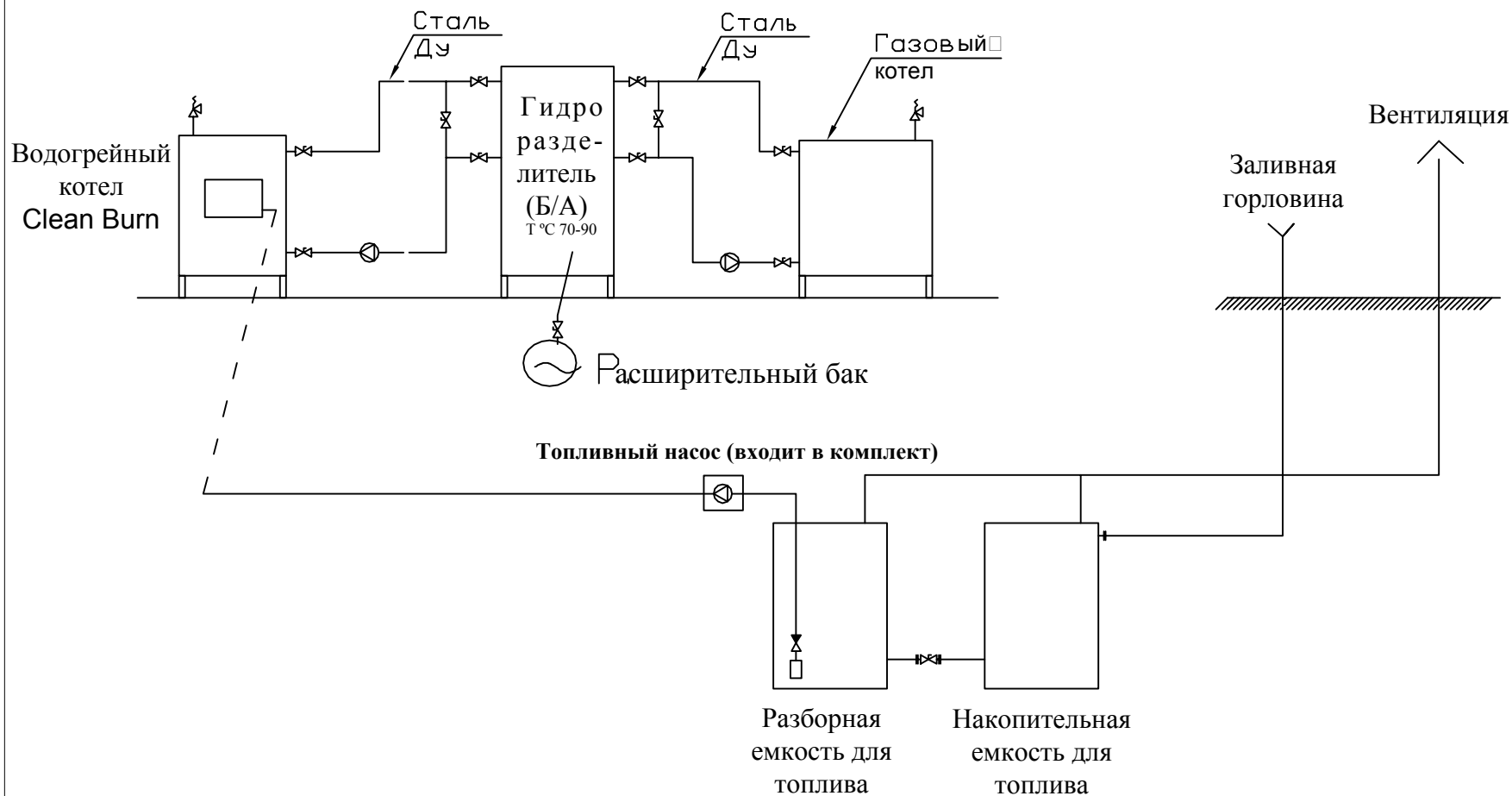




Принципиальная схема обвязки водогрейных котлов Clean Burn в паре с газовыми или другими котлами



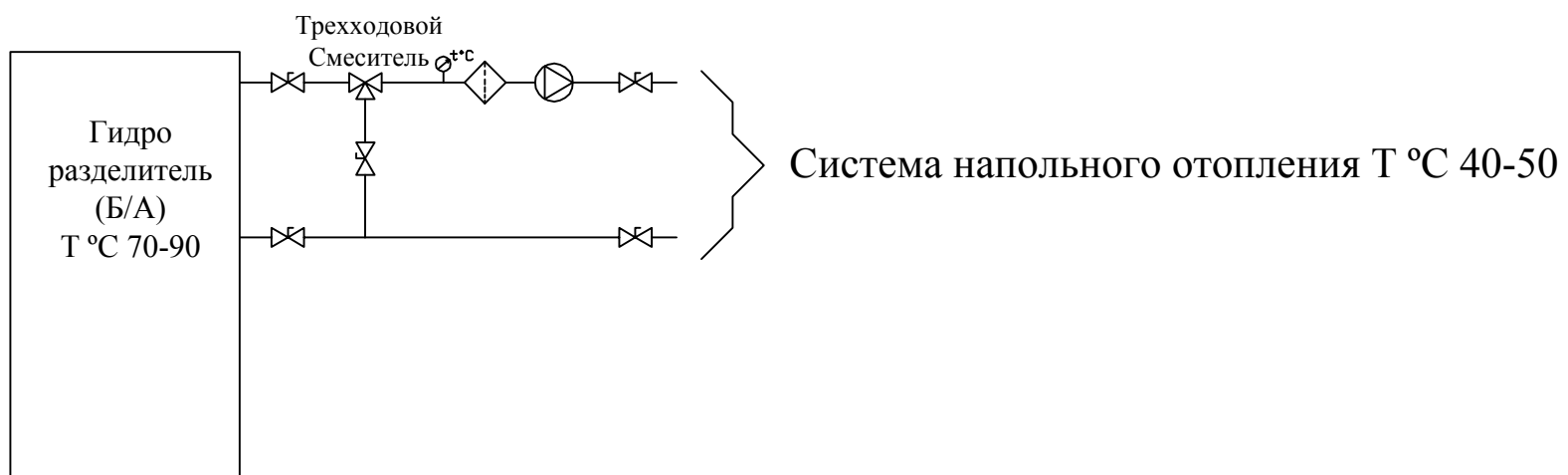
1. Требования к гидроразделителю (баку аккумулятора):

- Минимальный объем 500 литров (для одного котла)
- Должен быть оборудован манометром, предохранительным и воздушным-автоматическим клапанами,

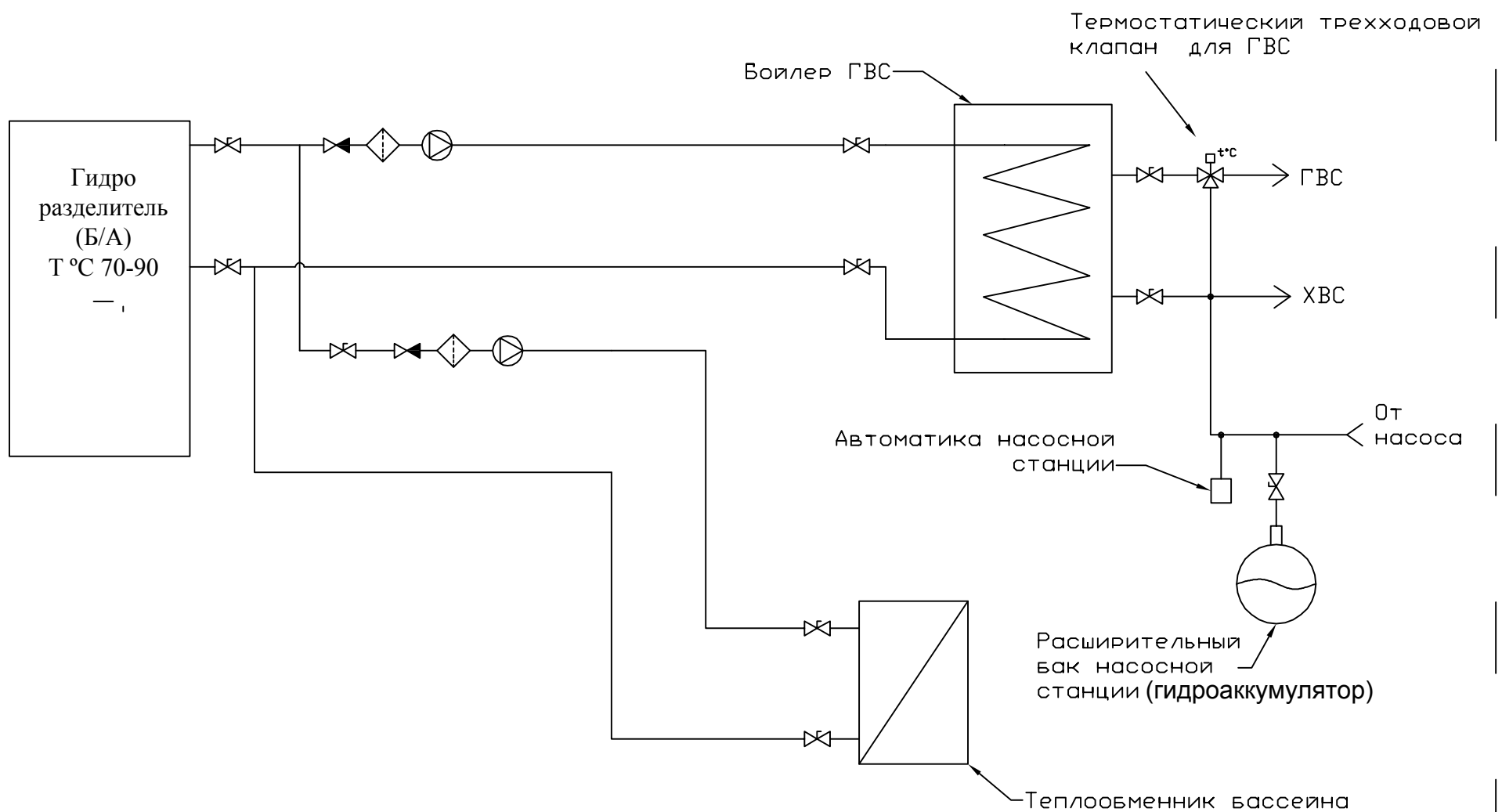
1) Контур системы радиаторного отопления с терморегулирующими вентилями на радиаторах



2) Контур системы напольного отопления



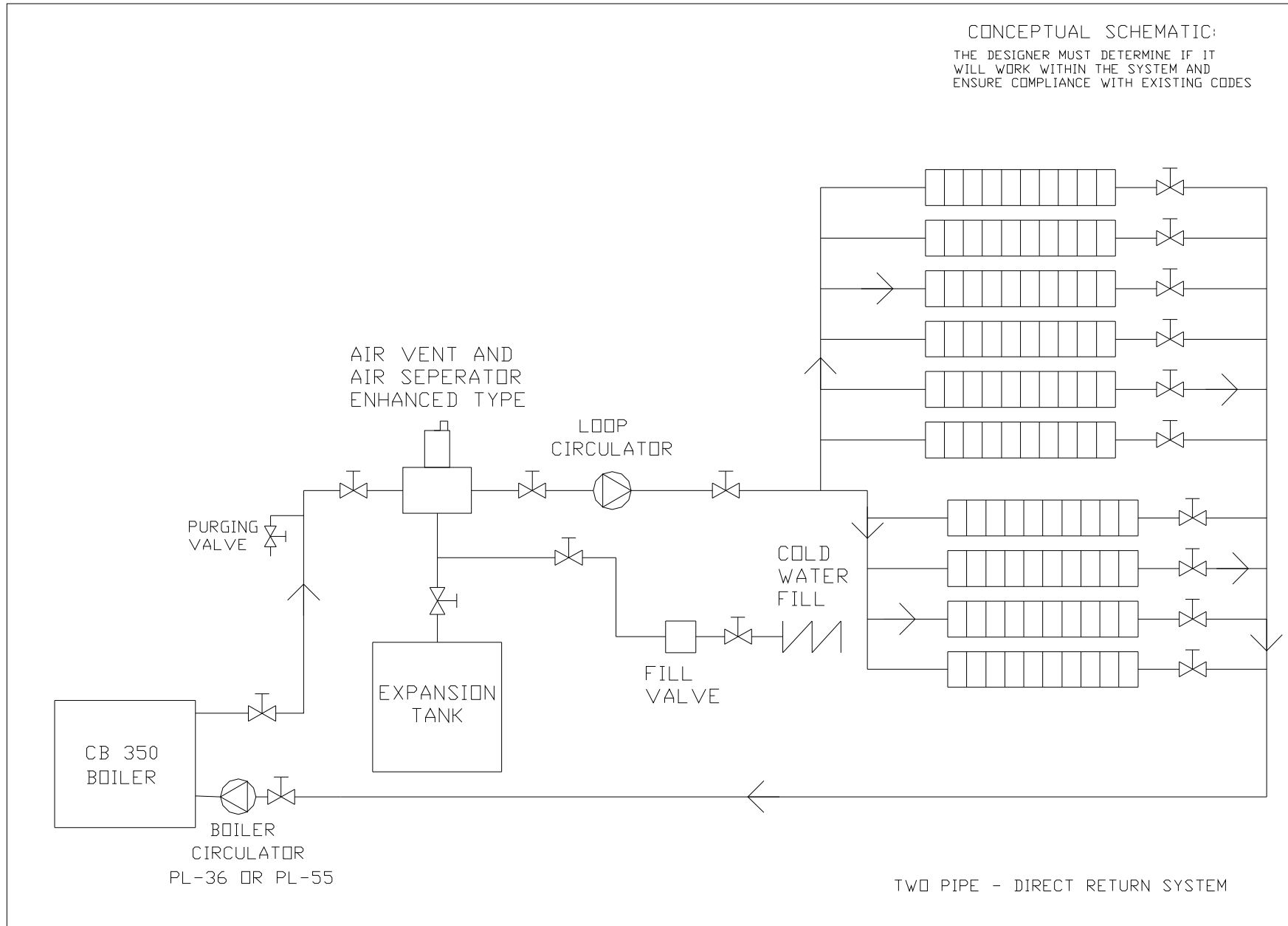
3) Контур теплообменников бассейна и бойлера ГВС





2-PIPE DIRECT RETURN SYSTEM

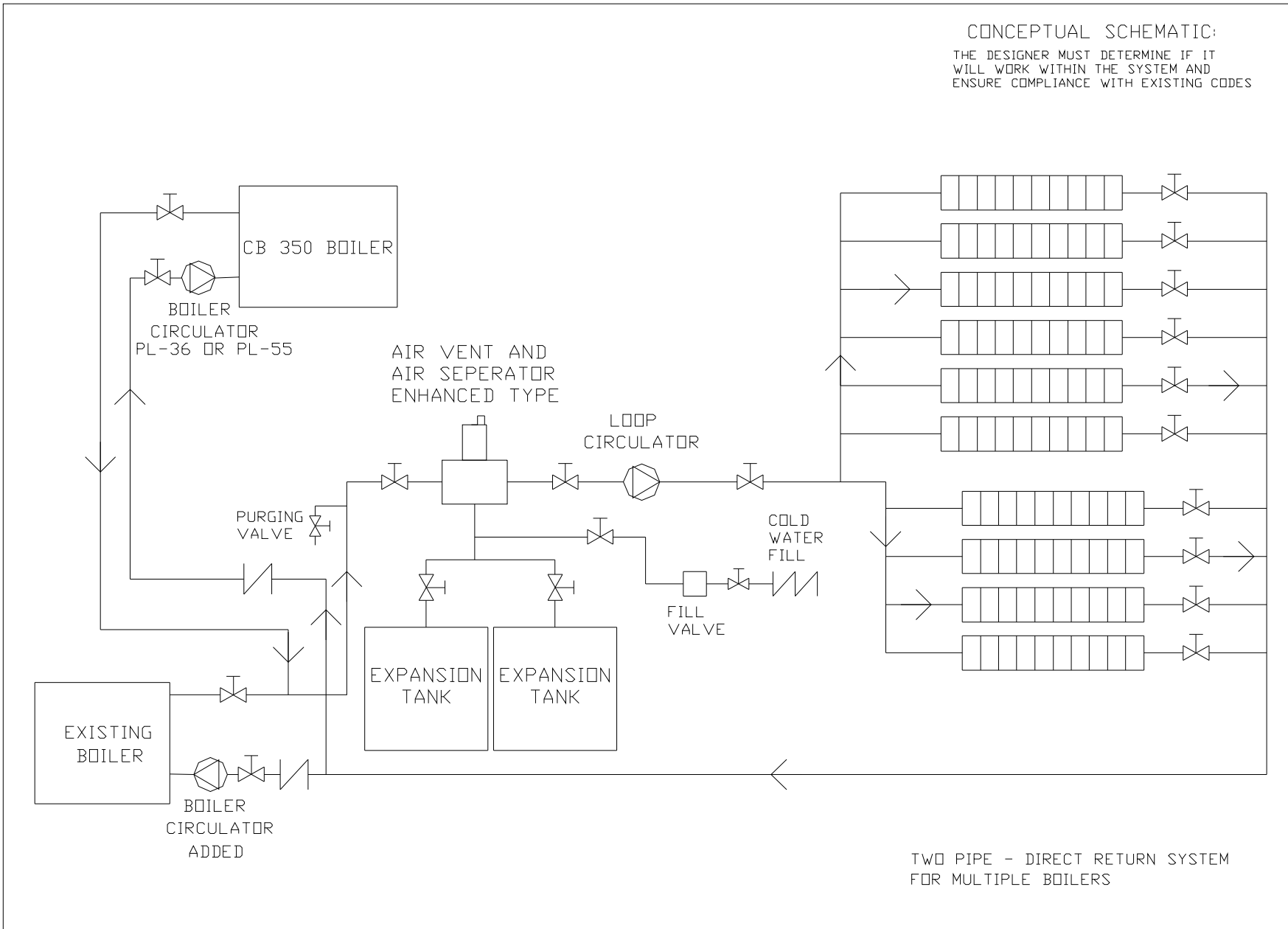
CONCEPTUAL SCHEMATIC:
THE DESIGNER MUST DETERMINE IF IT
WILL WORK WITHIN THE SYSTEM AND
ENSURE COMPLIANCE WITH EXISTING CODES





2-PIPE DIRECT RETURN SYSTEM w/MULTIPLE BOILERS

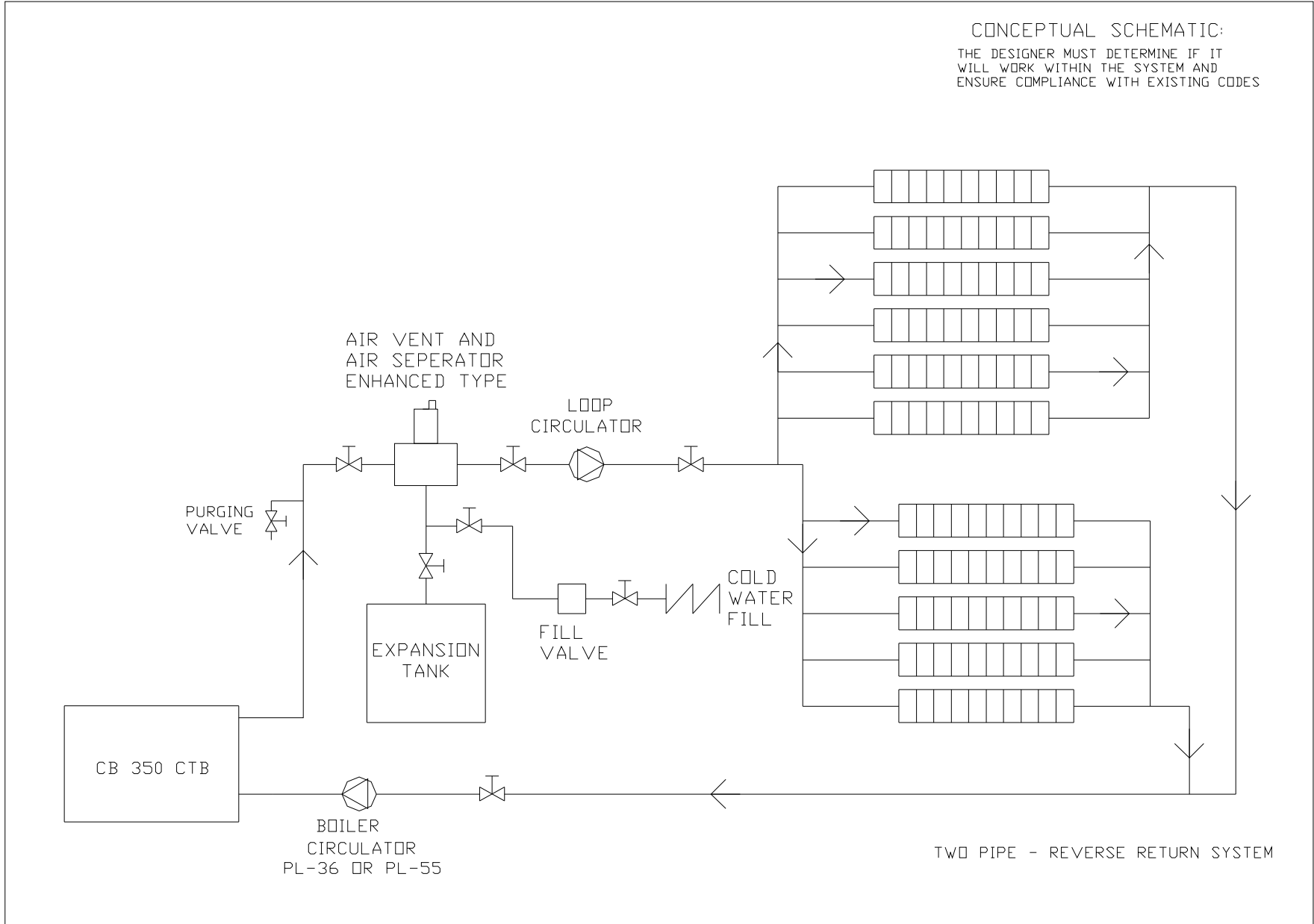
CONCEPTUAL SCHEMATIC:
THE DESIGNER MUST DETERMINE IF IT
WILL WORK WITHIN THE SYSTEM AND
ENSURE COMPLIANCE WITH EXISTING CODES





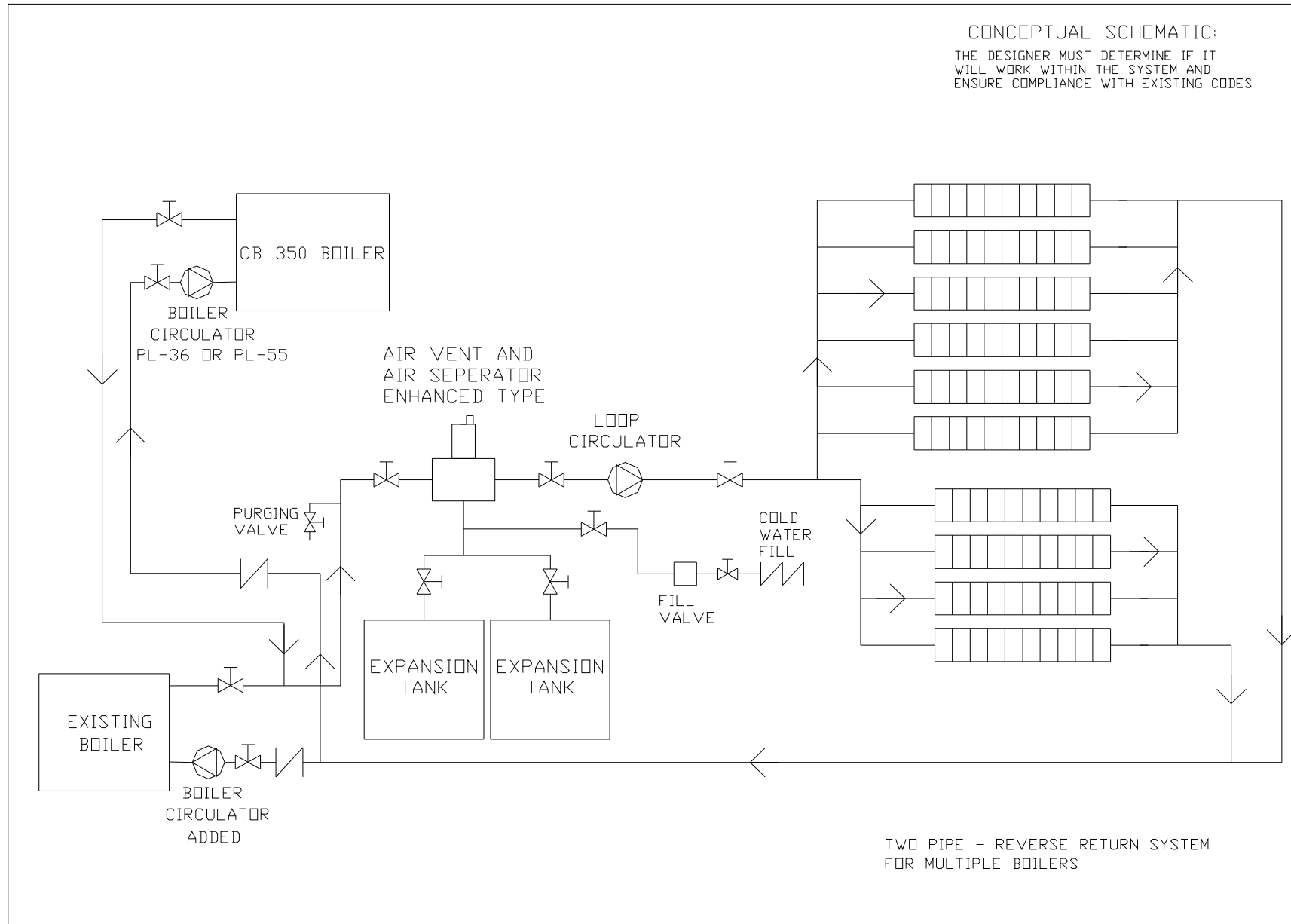
2-PIPE REVERSE RETURN SYSTEM

CONCEPTUAL SCHEMATIC:
THE DESIGNER MUST DETERMINE IF IT
WILL WORK WITHIN THE SYSTEM AND
ENSURE COMPLIANCE WITH EXISTING CODES



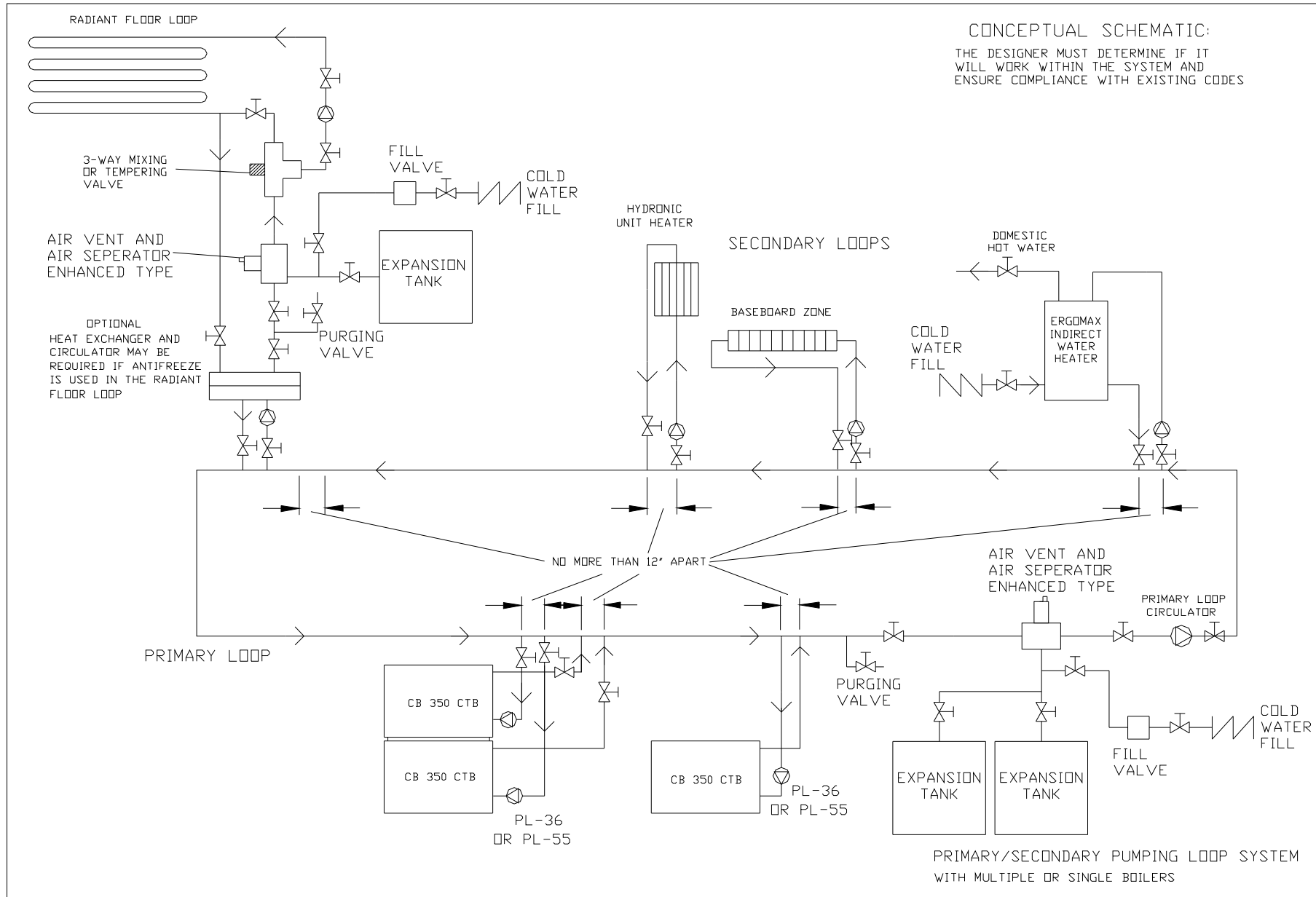


2-PIPE REVERSE RETURN SYSTEM w/MULTIPLE BOILERS



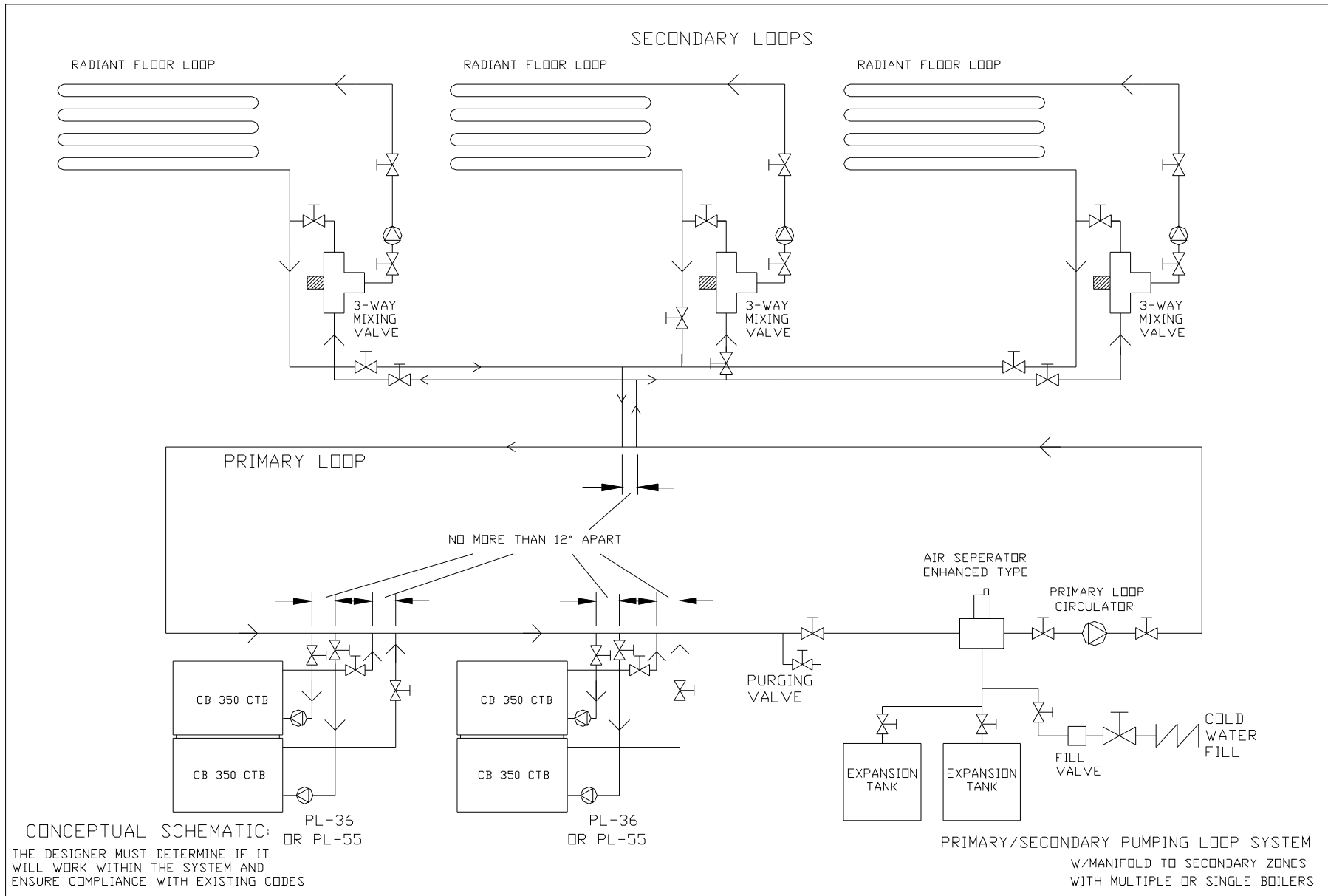


PRIMARY / SECONDARY PUMPING LOOP SYSTEM





PRIMARY / SECONDARY PUMPING LOOP SYSTEM w/MANIFOLDS

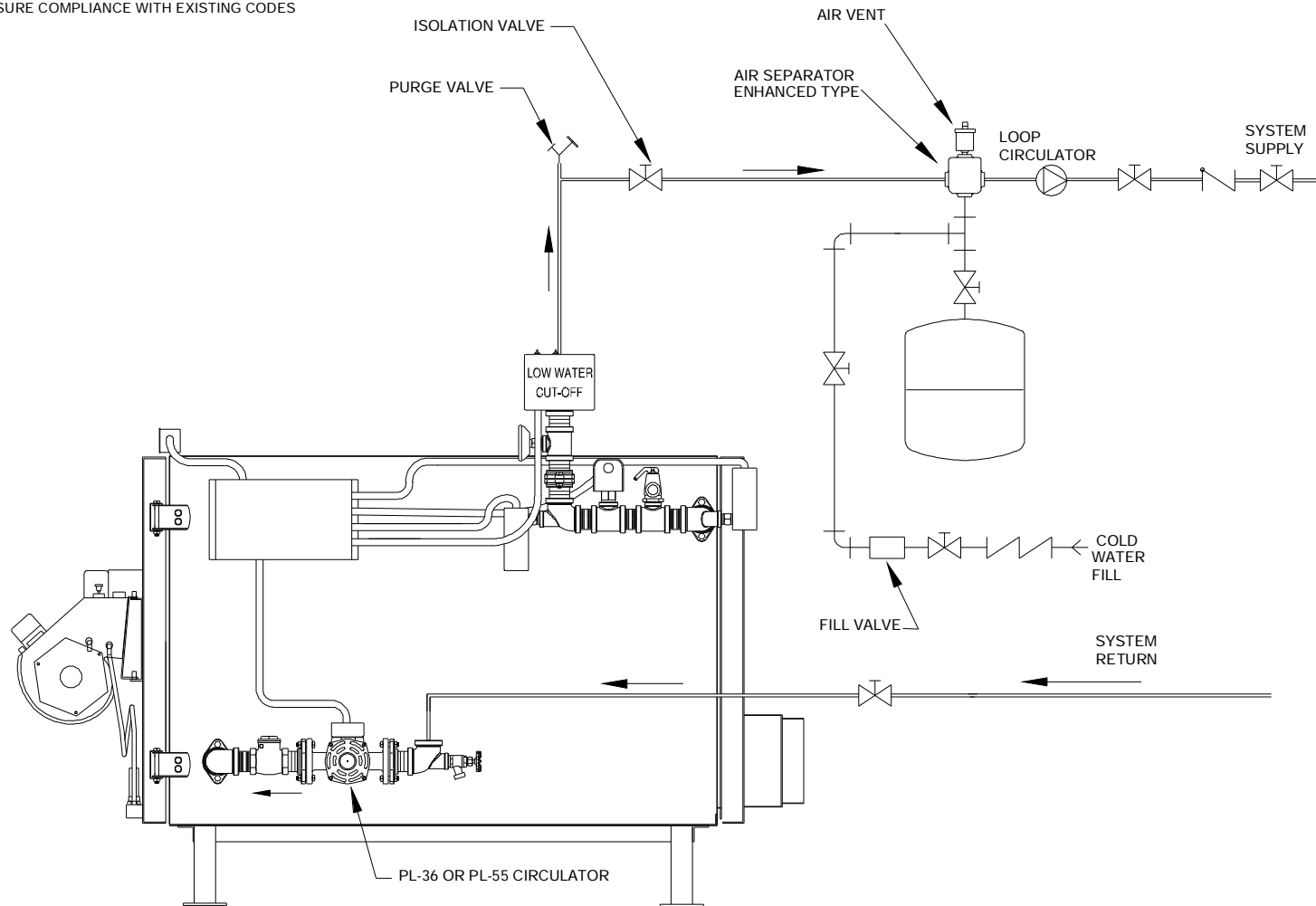




TYPICAL SINGLE BOILER APPLICATION

CONCEPTUAL SCHEMATIC:

THE DESIGNER MUST DETERMINE IF THIS SYSTEM
WILL WORK WITHIN THE SYSTEM AND
ENSURE COMPLIANCE WITH EXISTING CODES

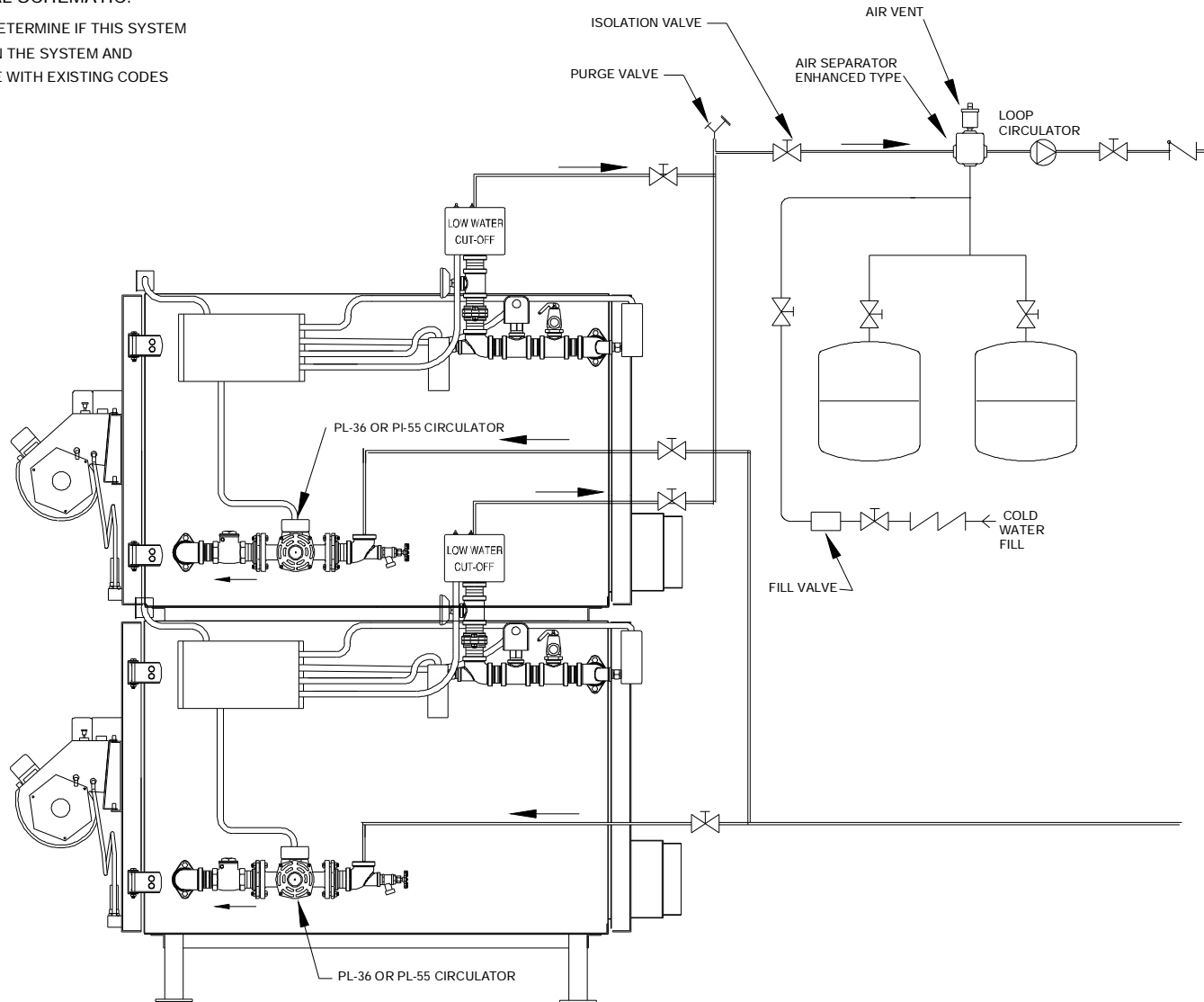




TYPICAL STACKED BOILER APPLICATION

CONCEPTUAL SCHEMATIC:

THE DESIGNER MUST DETERMINE IF THIS SYSTEM
WILL WORK WITHIN THE SYSTEM AND
ENSURE COMPLIANCE WITH EXISTING CODES

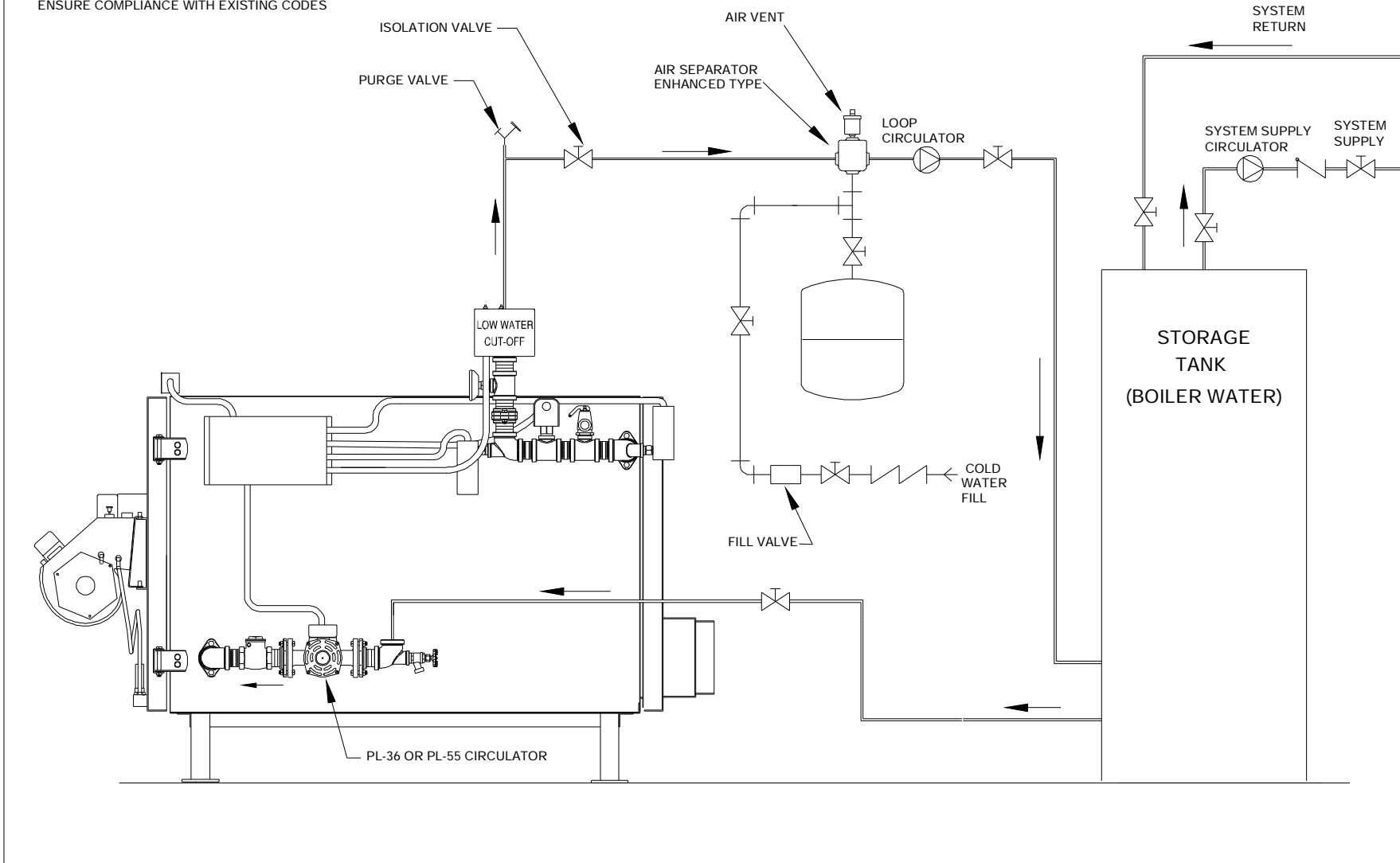




SINGLE BOILER w/STORAGE TANK APPLICATION

CONCEPTUAL SCHEMATIC:

THE DESIGNER MUST DETERMINE IF THIS SYSTEM
WILL WORK WITHIN THE SYSTEM AND
ENSURE COMPLIANCE WITH EXISTING CODES

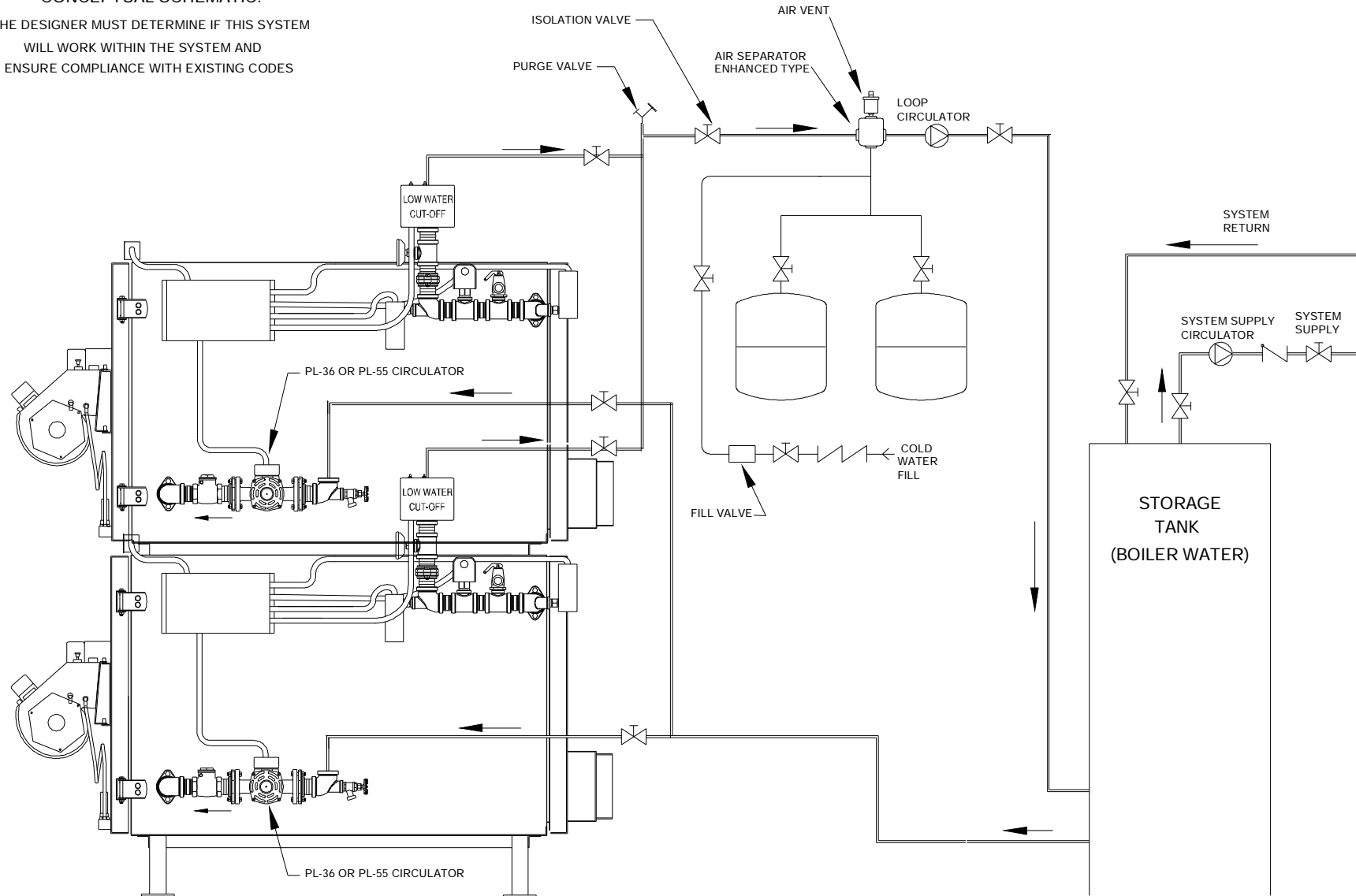




STACKED BOILERS w/STORAGE TANK APPLICATION

CONCEPTUAL SCHEMATIC:

THE DESIGNER MUST DETERMINE IF THIS SYSTEM
WILL WORK WITHIN THE SYSTEM AND
ENSURE COMPLIANCE WITH EXISTING CODES

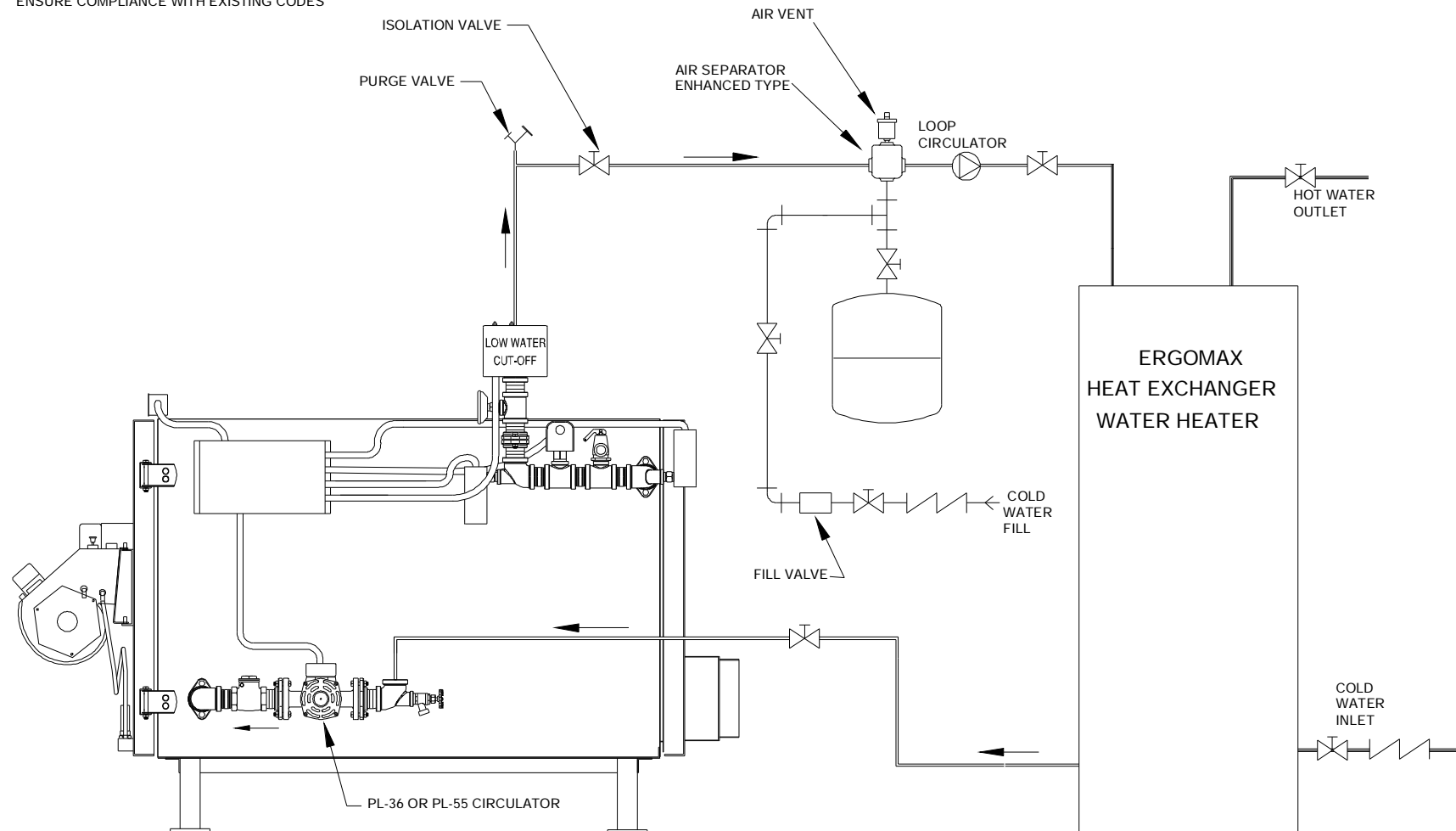




SINGLE BOILER w/ERGOMAX HEAT EXCHANGER APPLICATION

CONCEPTUAL SCHEMATIC:

THE DESIGNER MUST DETERMINE IF THIS SYSTEM WILL WORK WITHIN THE SYSTEM AND ENSURE COMPLIANCE WITH EXISTING CODES

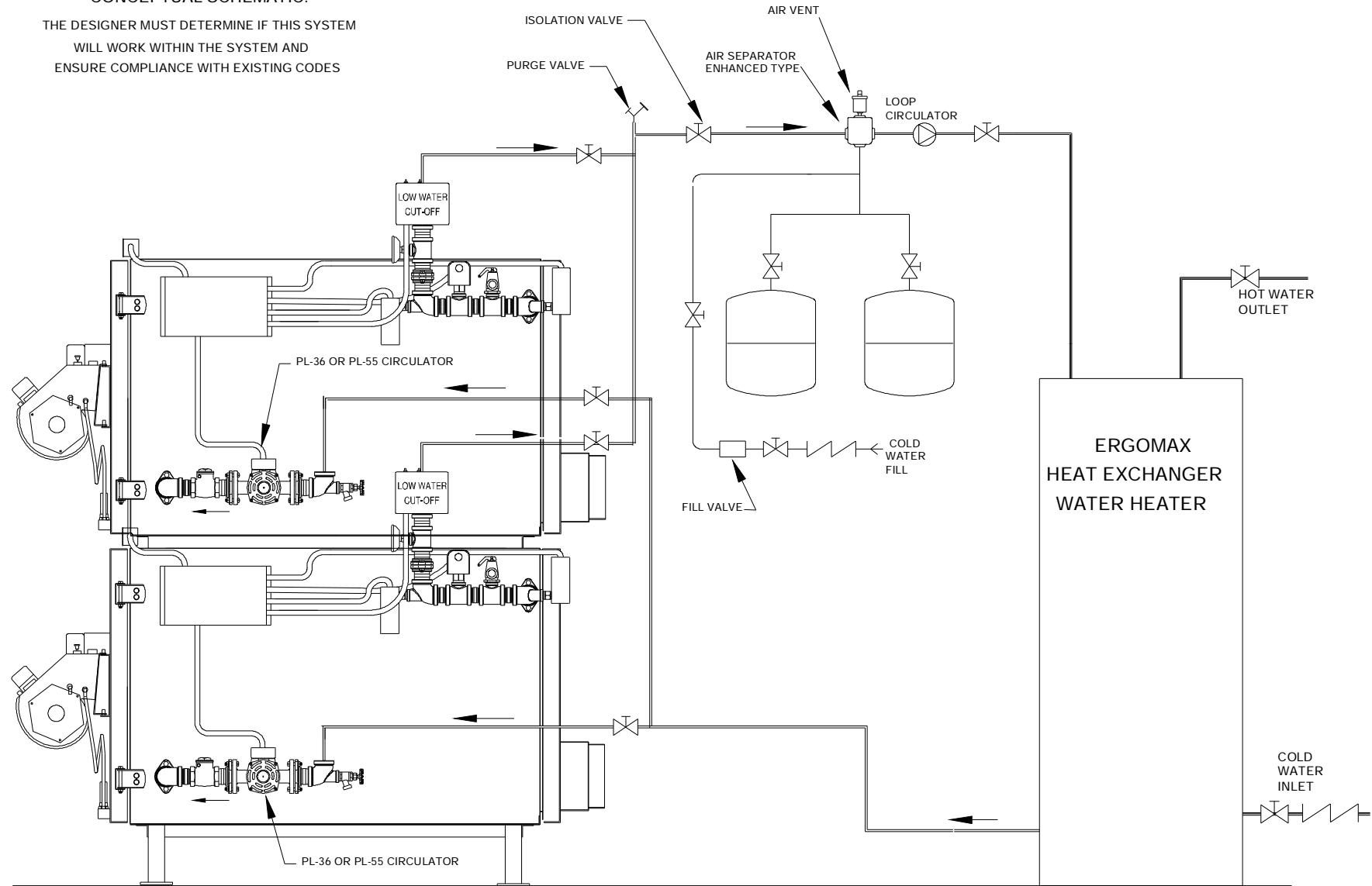




STACKED BOILERS w/ERGOMAX HEAT EXCHANGER APPLICATION

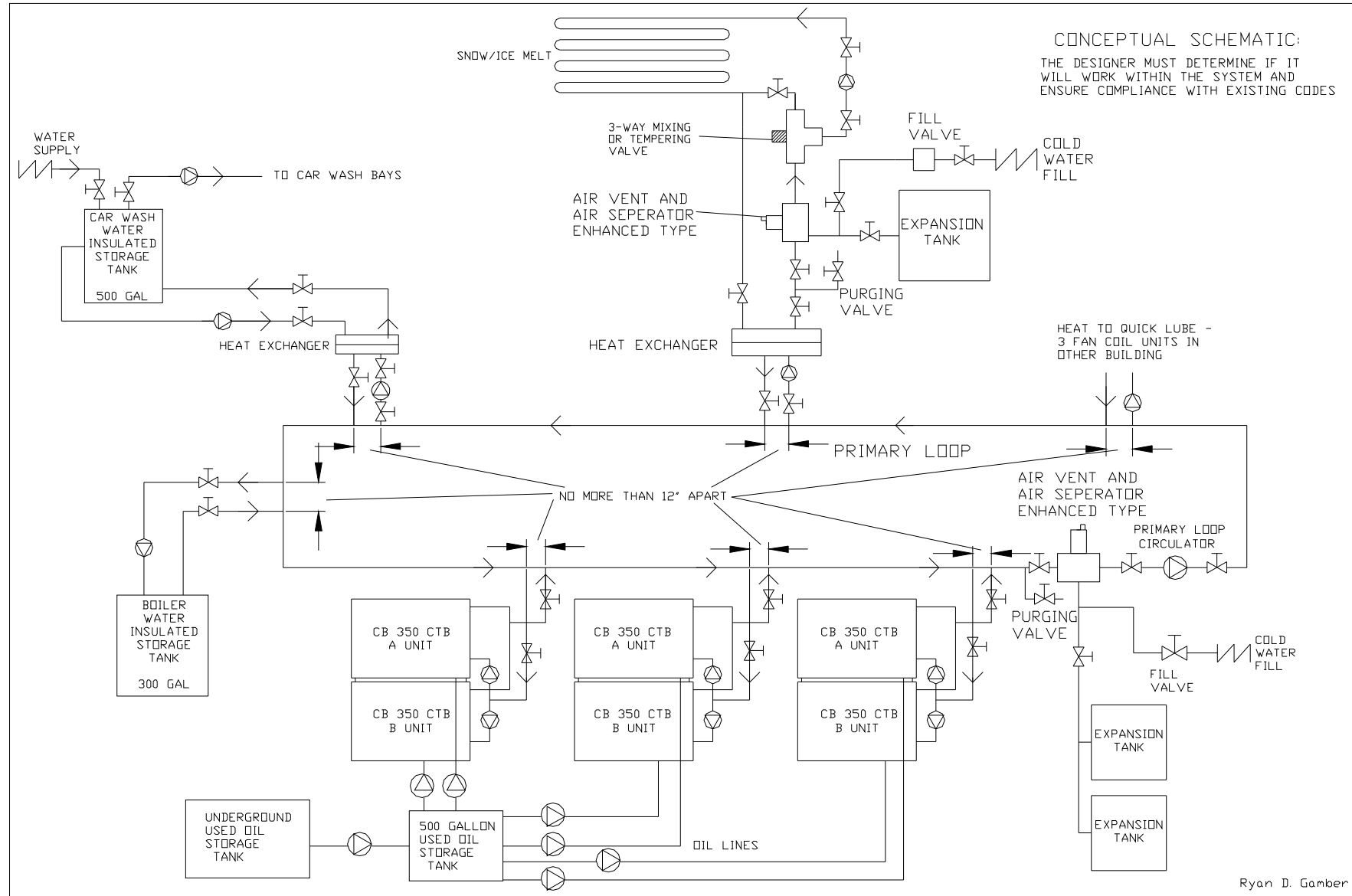
CONCEPTUAL SCHEMATIC:

THE DESIGNER MUST DETERMINE IF THIS SYSTEM WILL WORK WITHIN THE SYSTEM AND ENSURE COMPLIANCE WITH EXISTING CODES





ACTUAL CAR WASH w/WASH WATER, SNOW / ICE MELTING, AND HEATING APPLICATION





CB-350-CTB BOILER

